

PayMount Payment Terminals Stands

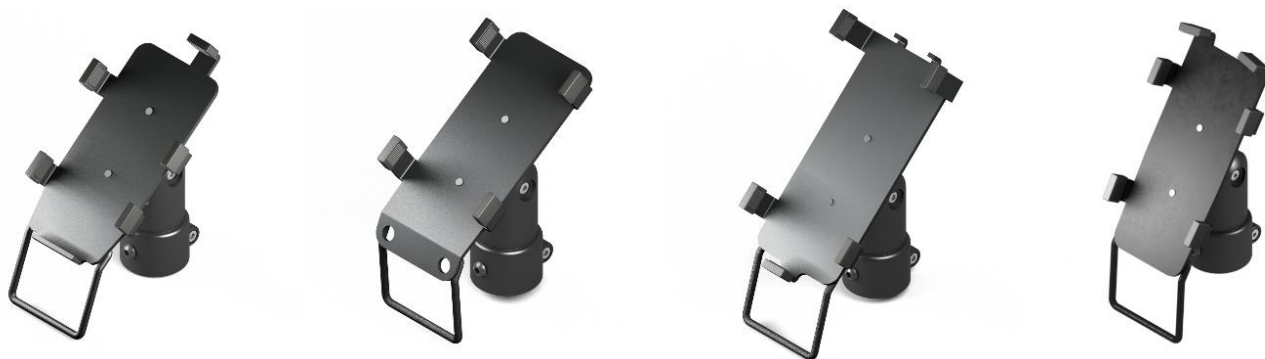
Ergonomic Solution, Space Saving Pole Mounted



DESCRIPTION: Simple, space saving, cost effective and users-friendly solution for mounting PIN Pad payment terminals on counter. Designed for comfortable PIN entering from buyer side and quick assistance from cashier side as well. Available for most popular terminals with different heights of pole and base mount options. High reliability. Made of metal with heavy duty plastic hinges.

FEATURES: Comfort tilt adjusting with handle, 210 ° rotation from customer side to cashier, neat cabling through pole, interchangeable holders designed for each terminal model individually, prepared for Kensington compatible security locks/cables using.

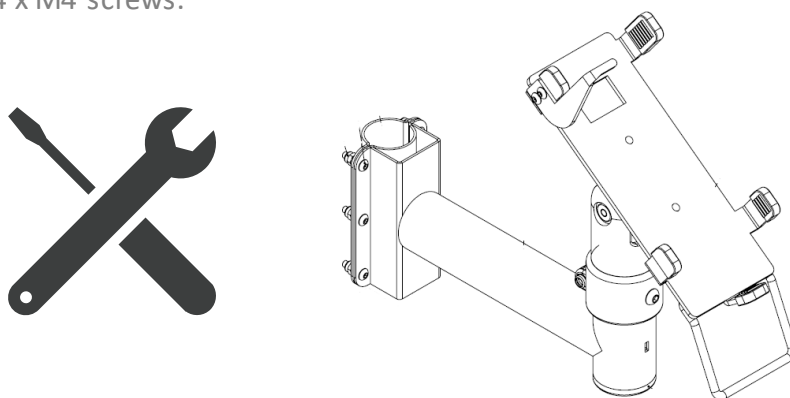
HOLDERS: Available for most Nexgo POS & EFTPOS terminals.



POLE OPTIONS: Standard pole height is 120 mm (200 mm with hinge). Lower/higher poles, also telescopic ones are available by request optionally.



BASE OPTIONS: Standard 96 mm round base (100 mm with plastic cover) for on-counter mounting with 4 x M4 screws.



CUSTOMIZED BASES: On-edge mounting and other customized bases available by request.

COMPATIBILITY: Owing to the PayMount modular design upgrading system with other payment terminal model doesn't cause whole stand replacement, just enough to upgrade the holder, thus PayMount protects your investments. Also PayMount hinge is compatible with SpacePole DuraTilt poles that can make upgrading of your payment solution much easier and cost-effective.

